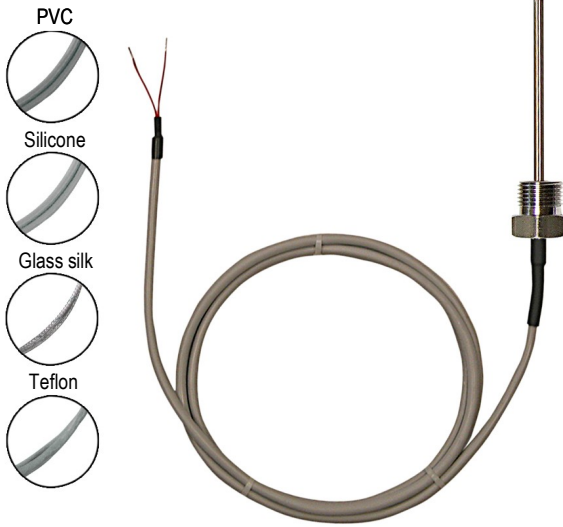


Temperature probe with **CE**  
cable at resistive element with  
fixing fitting

**SFR 50 / SFRD 50**

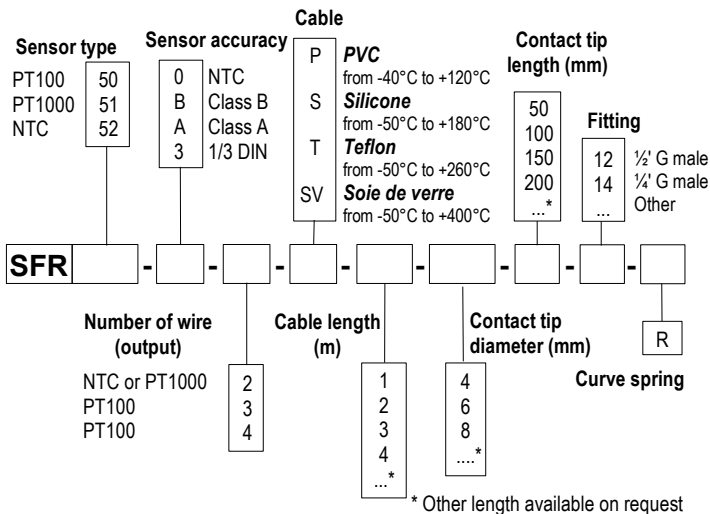


**Probe features**

- Temperature probe mounted on conductive cable with stainless steel contact tip and fitting.
- Measuring range (according to cable) :  
**from -50°C to +400°C (PT100 and PT1000).**  
**from -20°C to +120°C (NTC).**
- 2 wires (SFR) or 4 wires (SFRD) for NTC and PT1000 outputs
- 3 - 4 wires (SFR) or 6 wires (SFRD) for PT100 output.
- For other resistance types PT25, PT50, PT500, PT200 or NI, please contact us.

**Part numbers**

**SFR 50 – Simple pair probe -**



**Example : SFR51-B-2-P-1-4-100-12**  
 Model : PT1000 temperature probe, Class B, 2 wires, PVC cable of 1m length. Stainless steel contact tip of 4 mm Ø, length 100 mm, fitting process with ½ G thread, without curve spring. **Measuring range from -40 to +120°C.**

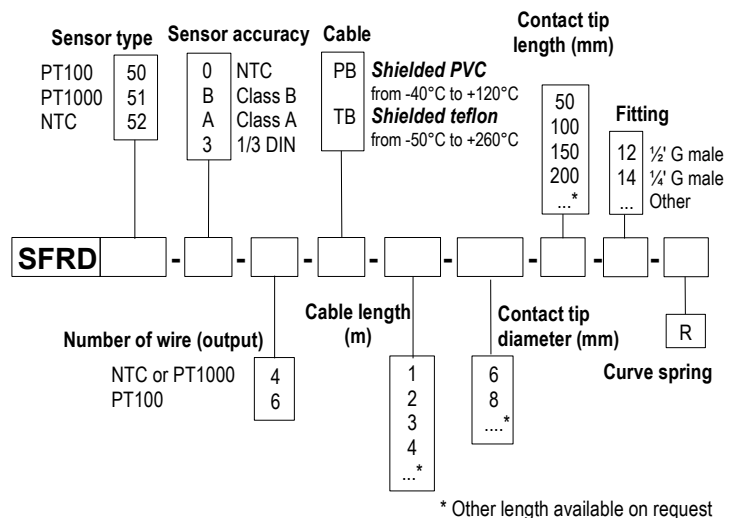
**Technical features**

- Operating temperature.....from -50°C to +400°C (PT100 and PT1000)  
**(According to cable)** from -20°C to +120°C (NTC)
- Accuracy \*.....**PT100 or PT1000** : see "Tolerances" table  
**NTC** : see "Tolerances" table
- Sensor type.....**PT100 or PT1000** : class B, class A and 1/10 DIN as per IEC751  
**NTC** : resistance at 25°C, R<sub>25</sub> = 10KΩ Nominal  
 Beta value B25/85 = 3,695K ±1%
- Storage temperature.....from -20°C to +80°C
- Operating temperature of cable.....**PVC** : from -40°C to +120°C  
**Silicone** : from -50°C to +180°C  
**Teflon (PFA)** : from -50°C to +260°C (Shielded is optional)  
**Glass silk with stainless steel sheet** : from -50°C to +400°C
- Compression fitting.....inox 316 L
- Thread.....¼" or ½" Gas screw nut
- Contact tip.....316 L stain less steel, watertight crimping with heat shrink tubing. (Except glass silk cable with Standard mounting on stainless steel duct)  
 Optional : curve spring

**⚠ No 4-wire mounting for 4mm Ø contact tip**

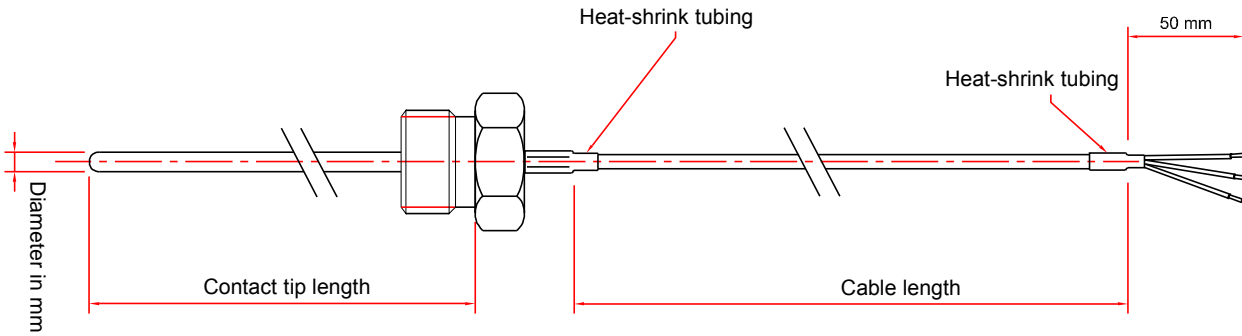
\*all accuracies indicated in this technical datasheet were stated in laboratory conditions, and can be guaranteed for measurements carried out in the same conditions, or carried out with calibration compensation.

**SFRD 50 – Multipair probe**



**Example : SFRD51-B-4-PB-1-6-100-12**  
 Model : PT1000 temperature probe, Class B, 4 wires, shielded PVC cable of 1m length. Stainless steel contact tip of 6 mm Ø, length 100 mm, fitting process with ½ G thread, without curve spring. **Measuring range from -40 to +120°C.**

## Probe dimensions



## Tolerances\* of PT100 and PT1000 probes.

As per IEC 751 (1993), BS 1904 (1984) and DIN 43760 (1980) norms.

| Temp °C | Tolerances |        |         |        |         |        |
|---------|------------|--------|---------|--------|---------|--------|
|         | Class B    |        | Class A |        | 1/3 DIN |        |
|         | ± °C       | ± Ohms | ± °C    | ± Ohms | ± °C    | ± Ohms |
| -100    | 0,8        | 0,32   | 0,35    | 0,14   | 0,27    | 0,11   |
| -50     | 0,55       | 0,22   | 0,25    | 0,1    | 0,19    | 0,08   |
| 0       | 0,3        | 0,12   | 0,15    | 0,06   | 0,1     | 0,04   |
| 100     | 0,8        | 0,3    | 0,35    | 0,13   | 0,27    | 0,1    |
| 200     | 1,3        | 0,48   | 0,55    | 0,2    | 0,44    | 0,16   |
| 300     | 1,8        | 0,64   | 0,75    | 0,27   | 0,6     | 0,21   |
| 400     | 2,3        | 0,79   | 0,95    | 0,33   | 0,77    | 0,26   |

Resistance values for PT1000 (Ω) must be multiplied by 10 for the same corresponding temperature value (°C). I.e. : at 0°C for PT1000 Class B ± 0,3°C → ± 1,2 Ω

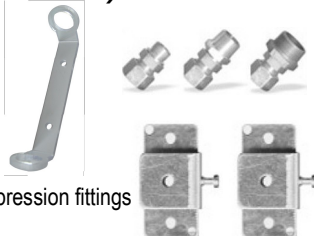
## Tolerances\* of NTC probes

| Measuring range °C   | Tolerances °C |
|----------------------|---------------|
| from -20°C to 0°C    | ± 0,5°C       |
| from 0°C to +70°C    | ± 0,2 °C      |
| from +70°C to +100°C | ± 0,5 °C      |

\* Performed in laboratory conditions, the above accuracies mentioned in this document will be guaranteed, provided that you use the calibration compensation data or identical calibration conditions.

## Accessories (See data sheet)

- Transmitter 4/20 mA or 0/10V output
- Wall mounting support
- Stainless steel mounting brackets
- ¼" or ½" Gas screw nut
- Compression fittings
- Teflon or stainless steel ferrule for compression fittings



- Sleeve to weld for food industry (avec manchon ½" G femelle à souder)
- Stainless steel junction fitting
- ½" Gas or NPT thread cuff
- Thermo-conducting silicone grease
- Calibration certificate
- Thermowell



[www.kimo.fr](http://www.kimo.fr)

Distributed by :

EXPORT DEPARTMENT

Tel : + 33. 1. 60. 06. 69. 25 - Fax : + 33. 1. 60. 06. 69. 29

e-mail : [export@kimo.fr](mailto:export@kimo.fr)

